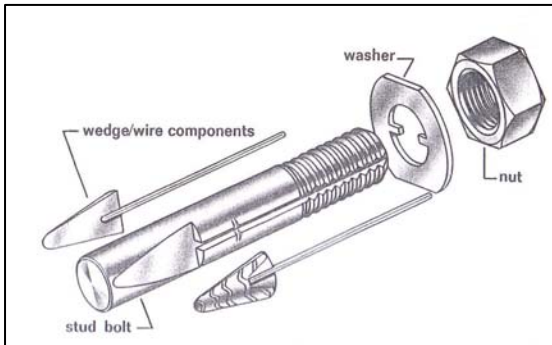


Wej-It revolutionized the concrete anchoring industry by integrating two wedge/wire components into a stud bolt. A two-pronged washer is fitted into milled slots with a nut added to complete the assemblage.



It made fixture-moving obsolete while providing other advantages as well: faster installation; lower in-place costing, stronger, safer fastenings.

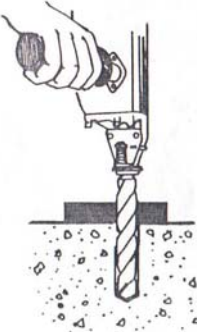
It also made possible (because of the availability of large size Wej-its), the use of Wej-it in place of cast-in insert types, for heavier anchoring.

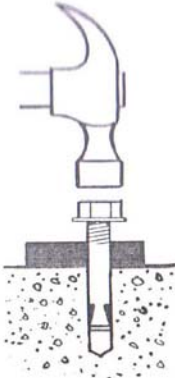
Today, Wej-it is specified and used through Canada and the USA, as well as a number of other countries.


WEJ-IT DIAMETER AND HOLE DIAMETER	EMBEDMENT DEPTHS	2000 psi		4000 psi		6000 psi	
		Tensile	Shear	Tensile	Shear	Tensile	Shear
Inches	Inches	Lbs	Lbs	Lbs	Lbs	Lbs	Lbs
1/4	1	1088	1751	1450	2316	2030	2494
	1 1/8	1320	1751	1760	2316	2464	2494
	1 1/4	1748	1751	2231	2316	3263	2494
	1 1/2	1855	1751	2473	2316	3462	2494
5/16	1 1/4	2057	1839	2742	2530	3839	3430
	1 3/4	2389	1839	3185	2530	4459	3430
3/8	1 1/2	2876	4286	3834	5213	5368	5658
	2	3017	4286	4022	5213	5631	5658
	3 1/2	3299	4286	4399	5213	6159	5658
	4	3488	4286	4650	5213	6510	5658
1/2	2	3430	7138	5717	10748	8004	11550
	2 1/4	3473	7138	5789	10748	8105	11550
	3 1/2	3847	7138	6411	10748	8975	11550
	4	4328	7138	7213	10748	10098	11550
	5	4809	7138	8015	10748	11221	11550
5/8	3	6711	10719	11185	15583	15659	16700
	3 1/2	7562	10719	12636	15583	17690	16700
	3 1/4	8336	10719	13893	15583	19450	16700
	4	8623	10719	14372	15583	20121	16700
	5	9179	10719	15299	15583	21419	16700
3/4	3	11579	15537	19299	21000	27019	23103
	3 1/2	12249	15537	20415	21000	28581	23103
	4	12918	15537	21530	21000	30142	23103
	5	13550	15537	22583	21000	31616	23103
	7	15444	15537	25740	21000	36036	23103
7/8	4 1/2	15266	NOT RECOMMENDED	25444	25099	35622	28718
	5 1/2	16269		27115	25099	37961	28718
	7	16992		28320	25099	39648	28718
1	5 1/2	16351	NOT RECOMMENDED	27252	33083	38153	35700
	6	17094		28490	33083	39886	35700
	7	17837		29728	33083	41619	35700
1 1/8	5 1/2	20306	NOT RECOMMENDED	33844	38762	47382	43702
	6 1/4	20960		34934	38762	48908	43702
	7	21614		36023	38762	50432	43702
1 1/4	5 1/2	24262	NOT RECOMMENDED	40436	45416	56610	53500
	6	24826		41377	45416	57828	53500
	7	25390		42317	45416	59244	53500
1 1/2	6 1/2	33419	NOT RECOMMENDED	55698	58000	77977	63500
	8	34466		57444	58000	80422	63500

SHANK SIZE	THREAD LENGTH	TPI	BOX QTY	LBS/BOX
1/4 x 3/4	1/2	20	100	3.4
1/4 x 2 3/4	1/2	20	100	4.7
1/4 x 3	1/2	20	100	4.9
5/16 x 3	5/8	18	100	5.4
3/8 x 2	5/8	18	100	7.4
3/8 x 2 3/4	3/4	16	100	7.8
3/8 x 3 1/2	3/4	16	100	10.4
3/8 x 5	3/4	16	50	6.4
3/8 x 6	3/4	16	50	8.6
1/2 x 2 3/4	3/4	16	50	10
1/2 x 3 1/2	7/8	13	50	9.6
1/2 x 5	7/8	13	50	11.5
1/2 x 6	7/8	13	25	7.8
1/2 x 7	7/8	13	25	9
5/8 x 3 1/2	7/8	13	25	10.4
5/8 x 3 1/2	1 3/16	11	25	9.4
5/8 x 4 1/2	1 3/16	11	25	11.3
5/8 x 5	1 3/16	11	20	10.1
5/8 x 6	1 3/16	11	15	8.7
5/8 x 7	1 3/16	11	15	10.3
3/4 x 4	1 3/8	10	18	10.4
3/4 x 5	1 3/8	10	12	8.6
3/4 x 6	1 3/8	10	12	10
3/4 x 7	1 3/8	10	10	9.4
3/4 x 8 1/2	1 3/8	10	10	11.4
3/4 x 10	1 3/8	10	10	13.2
7/8 x 8	1 3/8	9	10	14.8
7/8 x 10	1 3/8	9	10	18.4
7/8 x 12	1 7/8	9	5	10.9
1 x 8	1 7/8	8	10	19.7
1 x 10	1 7/8	8	5	11.9
1 x 12	1 7/8	8	5	14.2
1 1/8 x 10	2 1/8	7	5	14.5
1 1/4 x 10	2 3/16	7	4	15.6
1 1/2 x 8	2 5/8	6	4	18.7
1 1/2 x 10	2 5/8	6	4	22.5

## Installation Directions

- 

Drill hole to depth equal to length of Wej-it®.
- 

Insert Wej-it® so that washer rests against fixture.
- 

Tighten nut, two or three full turns.

**NOTICE** Stated performance data is based on recognized testing methods. Product performance can be affected by field conditions and installation methods. Users of these products are responsible for determining suitability for their application and compliance with any legal provisions including those relating to health and safety.

### WILREP LTD.

1515 Matheson Blvd. E., Unit C-10, Mississauga, Ontario,  
Canada L4W 2P5

Tel. (905)625-8944 Fax (905)625-7142

www.wilrep.com e-mail: info@wilrep.com