

Novibra® Type TF

LEVELLING MOUNT



General purpose levelling mount.

The TF mounting is a general purpose levelling isolation mount with an exceptional levelling range. The TF Mount can be installed in a matter of minutes by following the instructions provided.

The rubber element of the TF mounting is oil and chemical resistant and all metal parts are zinc plated and chromated for protection against corrosion.

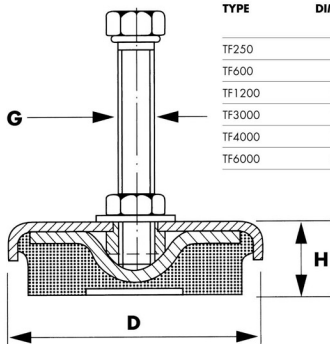
Models TF 250, TF 600 and TF 1200 also available in S/S (ISO 2604/11, BS 3605:1)

Application

Type TF level adjuster is a modern machine mounting suitable for a wide range of free standing workshop machines, like:

- ▶ Lathes
- ▶ Milling machines
- ▶ Grinding machines
- ▶ Multiple operation machinery
- ▶ Small presses and plate shears
- ▶ Punches and cutters
- ▶ Wood working machines
- ▶ Plastic moulding machinery

SPECIFICATIONS



TYPE	DIMENSION IN mm		OVERALL BOLT LENGTH	THREAD G	WEIGHT Kg	MAX. LOAD
	D	H				Kg
TF250	69	23	100	M12	0.355	250
TF600	81	25	100	M12	0.486	600
TF1200	108	29	100	M16	0.990	1200
TF3000	151	35	120	M20	2.223	3000
TF4000	170	39	120	M20	2.925	4000
TF6000	205	44	150	M24	4.813	6000